

## RTD Simulator

Masibus RS-12 is a high precision instrument for the simulation of Pt-100 resistance thermometers. The RS-12 covers the general operating range of Pt-100 thermometers with 12 calibration points. The Simulator is small in size, rugged and easy to use and it has been especially designed for field use.

Since the output is a purely passive resistance it will operate with all types of Pt100 measuring equipment including the live systems using pulsed, or interrupted excitation current.

### APPLICATION

The precision Pt100 simulator is used wherever measuring instruments or controlling systems have to be tested or calibrated with great precision. The standard version model RS-12 simulates 12 set temperature values. Totally different temperature ranges are required in the case of special applications, such as in the food industry the medical science etc. Model RS-12 is recommended for these applications and can be fitted with 12 temperature values according to customer specifications.

A distinctive feature of these simulators is their simple operation. The resistance values required for simulation are directly set in °C. There is no need to use tables.

### SPECIFICATION

Accuracy	±0.3 °C
Temperature Coefficient	20 ppm
Allowable Excitation Current	0 to 15 milliamps steady or intermittent
Operating Temperature	0 to 55 °C
Storage Temperature	-20 to 70 °C
Humidity	30 to 90 %
Dimension (in mm)	50mm (H) x135.4mm (W) x 66.5mm (D)
Enclosure material	Extruded Aluminum
Protection	IP40
Weight	<400 grams
Terminals	4 nos, 4mm safety sockets
Temperature Range	12 set temperature values

**Table-1**

#### Adjustable Temperature Values

-150 °C	- 50 °C	0 °C	50 °C
100 °C	200 °C	300 °C	400 °C
500 °C	600 °C	700 °C	800 °C

### RTD SIMULATOR

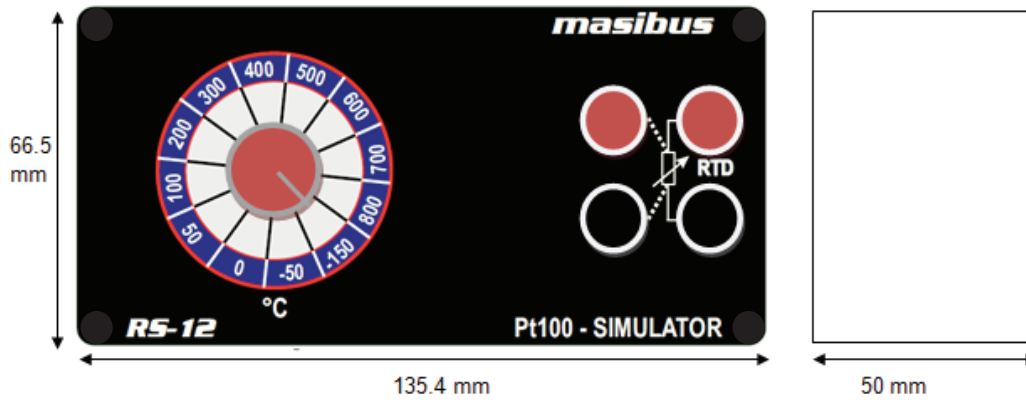


- Direct Temperature output 12 Switched Steps
- < 0.3 °C Accuracy
- "Quick Check" Switch BOX
- Allows 2, 3 or 4 wire connections
- Compact Size

### ACCESSORIES

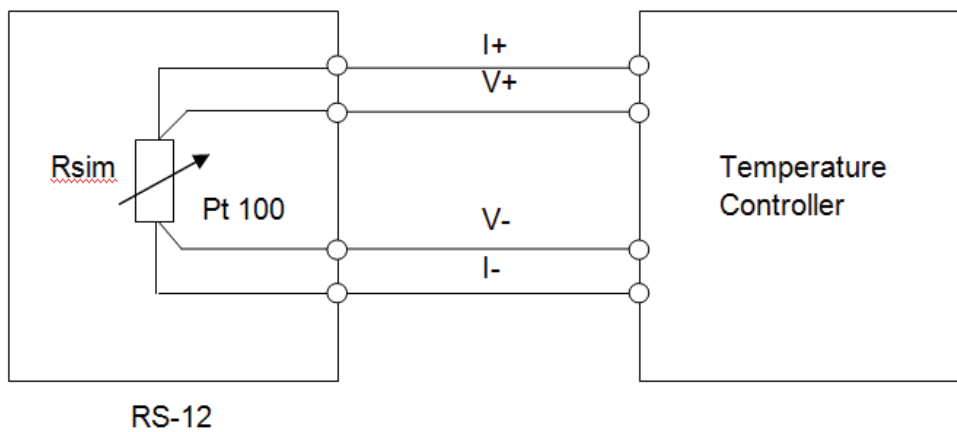
Sr. No.	Description of Accessory	Qty.
1.	Patch Cords RED (1 end Crocodile pin other end 4mm pin )	2
2.	Patch Cords BLACK (1 end Crocodile pin other end 4mm pin )	2
3.	Patch Cords (PC-3 RED) (Both End 4mm pin)	2
4.	Patch Cords (PC-3 BLACK) (Both End 4mm pin)	2

**DIMENSIONS**



**CONNECTION**

Example of application: Calibration of a controller



**ORDERING CODE**

ORDERING CODE	
Model	RS-12

Masibus Automation & Instrumentation Pvt. Ltd.  
 B/30, GIDC Electronics Estate, Sector- 25,  
 Gandhinagar-382024, Gujarat, India  
 Ph: 91-079-23287275  
 Fax: 91-079-23287281  
 Email: [support@masibus.com](mailto:support@masibus.com)  
 Web: [www.masibus.com](http://www.masibus.com)