

MAS-DO-RL

Field Interface Boards

8/16 Relay Output - 1CO



Masibus Relay Output Field Interface Board has 8/16 channels, with 24VDC coil voltage and 1CO contact configuration. It has screw terminals at both end for interfacing PLC digital output to field signals.

Features

- Relay module with 8/16 - Channel
- Coil Voltage : 24V DC
- Freewheeling diode across the relay coil for protection
- Jumpers for selection between positive/negative looping
- Available with pluggable relays
- Mounting on DIN carrier Rail

Applications

- Convert open collector to relay output
- SCADA/DCS/PLC

TECHNICAL SPECIFICATIONS

General Data		Power Consumption (mW)	Approx. 400 mW
Relay Make	OMRON G2RL Series OMRON G5Q Series	Must Operate Voltage	75% max. of rated voltage
Input Indication	Red LED for Input status indication	Must Release Voltage	5% min. of rated voltage
Relay Protection	Free wheeling diode across relay coil	Maximum Voltage	130% of rated voltage (at 85°C)
Positive/Negative Looping	Common, remove all jumpers to make relay independent	Isolation	
Relay Contact Data			
	OMRON G2RL Series OMRON G5Q Series	Isolation	OMRON G2RL Series: 1.5KV VAC, 50/60 Hz for 1 min between coil and contacts OMRON G5Q Series: 4KV VAC, 50/60 Hz for 1 min between coil and contacts
Rated Current (Resistive load)	12A at 250VAC 3 A at 250 VAC (NO) 12A at 24VDC 5 A at 30 VDC (NO) 3 A at 30 VDC (NC)	Insulation Resistance	1000 MΩ min. (at 500 VDC) between coil and contact
Max. Switching Voltage	440VAC, 300VDC 277 VAC, 30 VDC	Physical	
Relay on Time	15m sec. max. 10 ms max.	Dimension in mm (LxWxD)	OMRON G2RL Series: 128 X 90 X 60 (8 Channel) OMRON G5Q Series: 252 X 90 X 60 (16 Channel)
Relay off Time	5m sec. max. 5 ms max.	Mounting	DIN-Rail
Contact Resistance	100 mΩ maximum	Profile Material	PVC
Contact Type	1 C/O (SPDT)	Terminal Block	UL, CSA standard
Insulation Resistance	1000 MΩ min.	Terminal Cable Size	Upto 2.5mm ² conductor
Relay Coil Data		Weight	260 gm approx. (8 Channel) 620 gm approx. (16 Channel)
	OMRON G2RL Series OMRON G5Q Series		
Rated Coil Voltage	24V DC		
Coil Resistance (Ohms)	1440		
Rated Coil Current (mA)	16.7 mA		

TECHNICAL SPECIFICATIONS

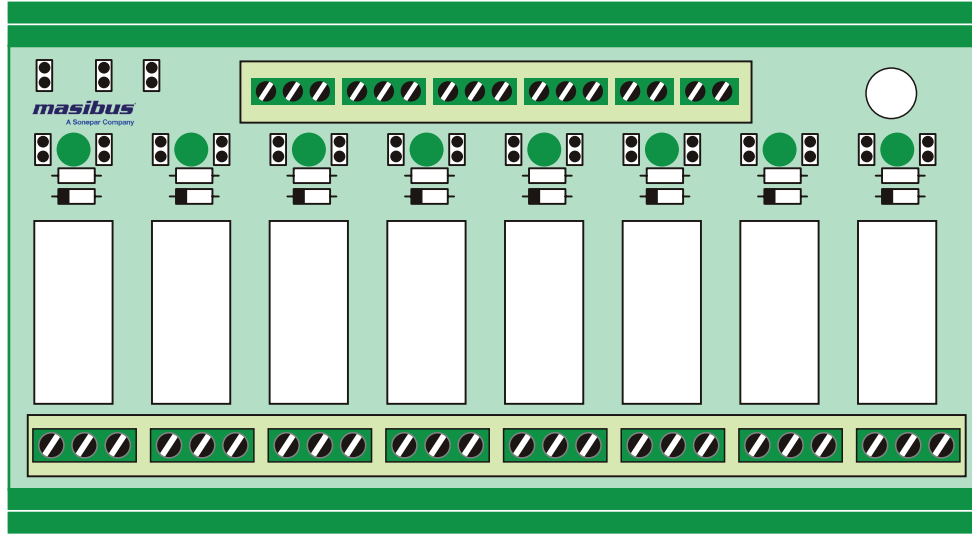
Environment		Humidity	30-95% RH (Non-Condensing)
OMRON G2RL Series OMRON G5Q Series		Environmental Protection	Conformal Coating on PCB
Operating Temperature	0°C to 50°C		

Ordering Code

Model No.	No. of Channels	Changeover	Voltage	Rated Current (Resistive load)
MAS-DO-RL	XX	XX	XX	XX
	08 8 Channel	1CO Single Change Over	24 24VDC Coil Voltage	- 10A
	16 16 Channel			02 5A

Note: For Special Range Consult Factory

Layout Diagram



Connection Diagram

